

BYSS.1 DC ISOLATOR SWITCHES

www.zjbeny.com



ZBENY

ZHEJIANG BENYI ELECTRICAL CO., LTD


Address: Wenzhou Bridge Industrial Zone,
Beibaixiang Town, Zhejiang China

TEL: +86-577-5717 7222

FAX: +86-577-5717 7007

Email: benyi@zjbeny.com

Http: // www.zjbeny.com

 This catalogue has been printed on ecological paper.

 Zhejiang Benyi Electrical Co., Ltd. all rights reserved.

 If the models and specifications in this product catalogue is changed due to the change of products, we will not inform.



Scan it to **ZBENY** website!

ZBENY

DC ISOLATOR SWITCHES BYSS

www.zjbeny.com



ZHEJIANG BENYI ELECTRICAL CO., LTD.

BYSS.2 DC ISOLATOR SWITCHES

www.zjbeny.com



BYSS.1 series

DC ISOLATOR SWITCHES



IEC/EN 60947-3:2015

- 1 Brand
- 2 Type
- 3 OFF
- 4 Application
- 5 Insulation voltage
- 6 Rated impulse withstand voltage
- 7 Rated Current
- 8 ON
- 9 Knob

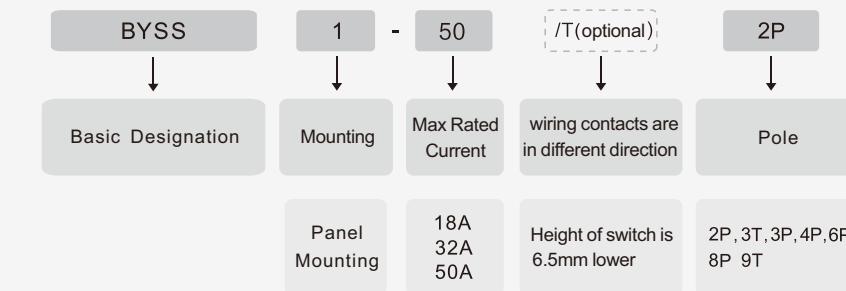
Application

BENY BYSS Series DC disconnect switch is used in 1-200KW solar inverter, 2P for 1 load up to 1000V 50A or 1500V 25A. low temperaturerising, long worklife and short arting time. For Multiple independent MPPTs.

Appearance Introduction



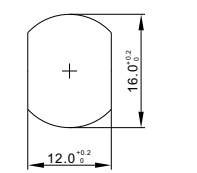
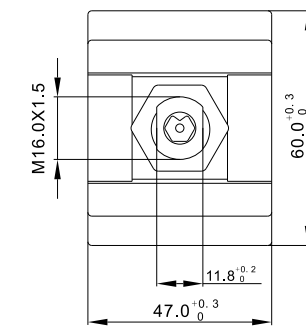
Type Instruction



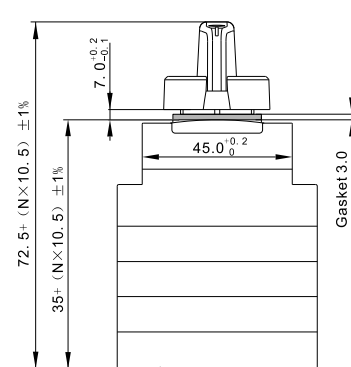
Parameter

Electrical Characteristics		
Rated Working Voltage	Ue	Details in diagram
Rated Current	Ie	Details in diagram
Conventional free air thermal current	Ith	50A
Rated impulse withstand voltage	Uimp	8kV
Rated short-time withstand current (1s)	Icw	1.5kA
Rated short-circuit making capacity	Icm	2.0kA
Rated conditional short-circuit current(kA)		8kA
Installation Environment		
Utilizatin category DC	DC-21B, DC-PV2	
Number of cycles of operation(With current)	500-2000	
Number of cycles of operation(Without current)	10000	
Pole	2/3/4/6/8/9	
Mounting	Panel Mounting	
Tightening torque terminal screws M4 , min.- max.M4	1.2Nm	1.8Nm
Tightening torque panel mounting nut,min.-max	3.0Nm	3.5Nm
Ambient temperature allowed between	-40°C ~ +85°C	
Storage temperature allowed between	-40°C ~ +85°C	
Relative Humidity	90%	
Pollution degree	2	
IP rating terminals	IP66	

Dimensions(mm)



BYSS.1-X



Wiring Diagram

	Type	Contact Configuration	Voltage				Poles in series	Number of Strings
			800V	1000V	1200V	1500V		
	BYSS.1-18-2P		25A	18A	15A	10A	2	1
	BYSS.1-32-2P		40A	32A	25A	16A	2	1
	BYSS.1-50-2P		50A	50A	40A	25A	2	1
	BYSS.1-32-3P		25A	20A	16A		2	2
	BYSS.1-50-3P		32A	25A	20A	13A	2	2
	BYSS.1-50-3T				50A	40A	3	1
	BYSS.1-18-4P		25A	18A	15A	10A	2	2
	BYSS.1-32-4P		40A	32A	25A	16A	2	2
	BYSS.1-50-4P		50A	50A	40A	25A	2	2
	BYSS.1-18-6P		25A	18A	15A	10A	2	3
	BYSS.1-32-6P		40A	32A	25A	16A	2	3
	BYSS.1-50-6P		50A	50A	40A	25A	2	3
	BYSS.1-50-6T				50A	40A	3	2
	BYSS.1-18-8P		25A	18A	15A	10A	2	4
	BYSS.1-32-8P		40A	32A	25A	16A	2	4
	BYSS.1-50-8P		50A	50A	40A	25A	2	4
	BYSS.1-50-9T				50A	40A	3	3

Switching Configurations

Type	2P	3P	3T	4P	6P	6T	8P	9T
Contacts Wiring diagram								
Switching example								

BYSS.2 series

DC ISOLATOR SWITCHES



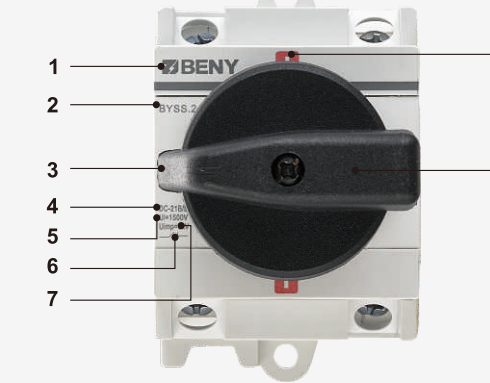
IEC/EN 60947-3:2015

- 1 Brand
- 2 Type
- 3 OFF
- 4 Application
- 5 Insulation voltage
- 6 Rated impulse withstand voltage
- 7 Rated Current
- 8 ON
- 9 Knob

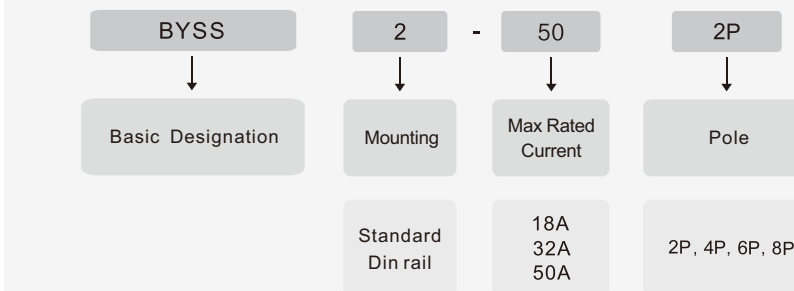
Application

BENY BYSS Series DC disconnect switch is used in 1-200KW solar inverter, 2P for 1 load up to 1000V 50A or 1500V 25A. low temperaturerising, long worklife and short arting time. For Multiple independent MPPTs.

Appearance Introduction



Type Instruction



Parameter

Electrical Characteristics		
Rated Working Voltage	Ue	Details in diagram
Rated Current	Ie	Details in diagram
Conventional free air thermal current	Ith	50A
Rated impulse withstand voltage	Uimp	8kV
Rated short-time withstand current (1s)	Icw	1.5kA
Rated short-circuit making capacity	Icm	2.0kA
Rated conditional short-circuit current(kA)		8kA
Installation Environment		
Utilizatin category DC	DC-21B, DC-PV2	
Number of cycles of operation(With current)	500-2000	
Number of cycles of operation(Without current)	10000	
Pole	2/3/4/6/8/9	
Mounting	Standard Din rail	
Tightening torque terminal screws M4 , min.- max.M4	3.0Nm	3.5Nm
Tightening torque panel mounting nut,min.-max	0.5Nm	0.7Nm
Ambient temperature allowed between	-40°C ~ +85°C	
Storage temperature allowed between	-40°C ~ +85°C	
Relative Humidity	90%	
Pollution degree	2	
IP rating terminals	IP66	

Wiring Diagram

	Type	Contact Configuration	Voltage				Poles in series	Number of Strings
			800V	1000V	1200V	1500V		
	BYSS.2-18-2P		25A	18A	15A	10A	2	1
	BYSS.2-32-2P		40A	32A	25A	16A	2	1
	BYSS.2-50-2P		50A	50A	40A	25A	2	1
	BYSS.2-18-4P		25A	18A	15A	10A	2	2
	BYSS.2-32-4P		40A	32A	25A	16A	2	2
	BYSS.2-50-4P		50A	50A	40A	25A	2	2
	BYSS.2-18-6P		25A	18A	15A	10A	2	3
	BYSS.2-32-6P		40A	32A	25A	16A	2	3
	BYSS.2-50-6P		50A	50A	40A	25A	2	3
	BYSS.2-50-6T				50A	40A	3	2
	BYSS.2-18-8P		25A	18A	15A	10A	2	4
	BYSS.2-32-8P		40A	32A	25A	16A	2	4
	BYSS.2-50-8P		50A	50A	40A	25A	2	4

Switching Configurations

Type	2P	3P	3T	4P	6P	6T	8P	9T
Contacts Wiring diagram								
Switching example								

Dimensions(mm)

